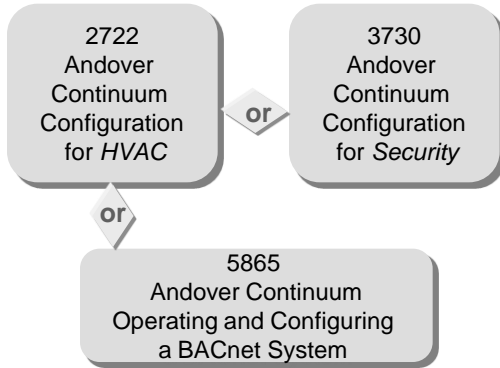
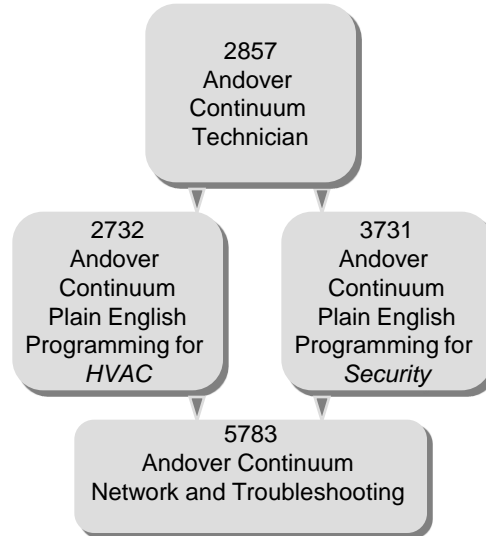


Recommended Sequence of Courses Andover Continuum

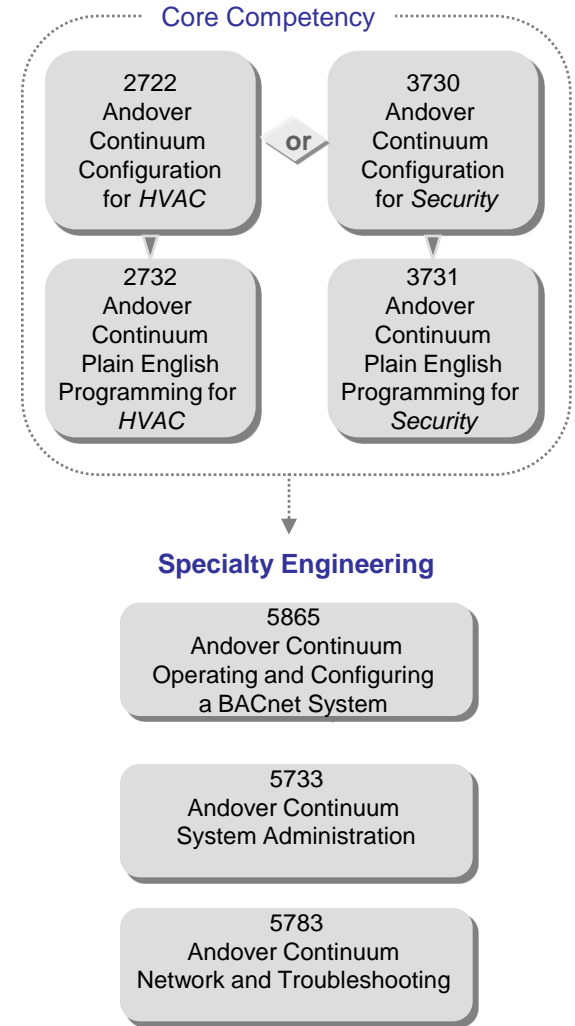
Operating



Servicing



Engineering



Notes:

1. This illustrates a typical sequence of classes to develop basic product competency for a given role.
2. Course prerequisites are provided in the detailed course descriptions on the TTS Online Registration website.
3. Specialty classes should be taken after basic competency and job experience is established. Classes may be selected as needed for specific job tasks.

**Questions? Special need?
Just Ask.**

TACUSAMTRAININGCENTER@tac.com